

SIGNAL ARRESTER

DA - □



Use

DA series are indoor installation type arresters that can absorb voltage of induced lightning surge caused on a signal line by lightning discharge, thus protects instrument.

Features

- Besides small plug-in structure, the device has a structure that line does not open even if main body is pulled out of terminal block. This feature makes the device superior in conservativeness.
- Absorbs only surge without influencing measurement signals.

Specification

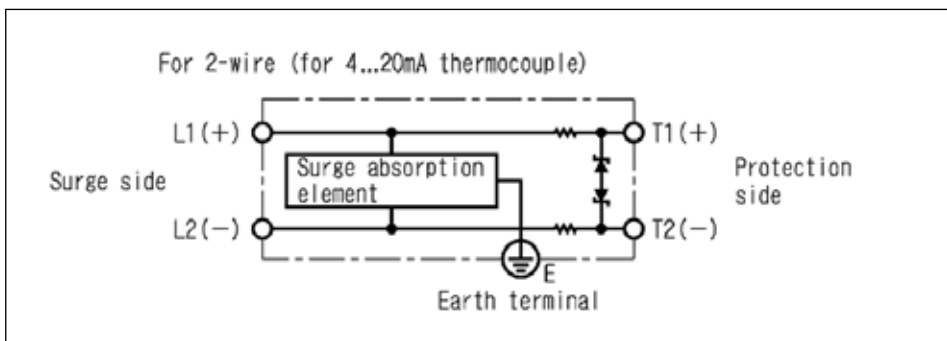
Common specification

Ambient temperature	-10~ + 55
Relative humidity	5-90%RH (no condensation)
Withstand voltage	Do not carry out a withstand voltage test. It may damage internal elements.
Earth	D type grounding (earth resistance 100) With connecting fitting for earth terminal
Structure	Small plug-in structure, material: fire retardant ABS resin (black)
Dimensions	W23.5×H100×D57mm
Mounting	Wall mounting
Weight	Approx. 120g

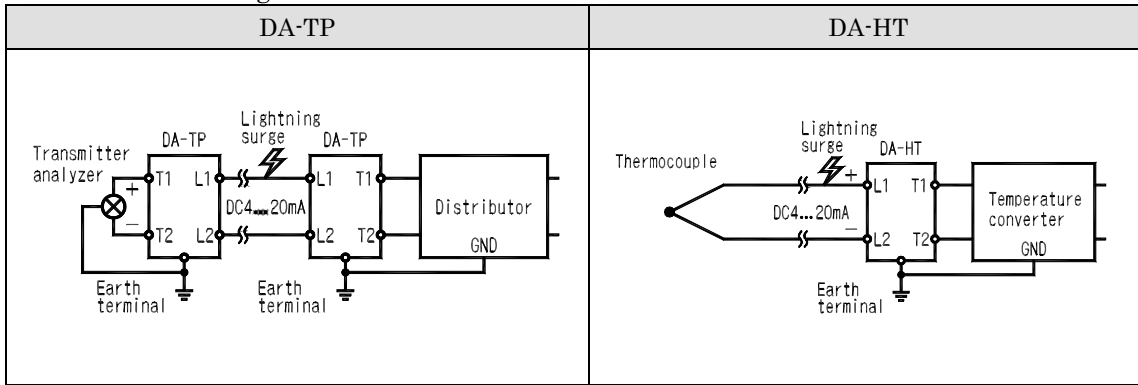
Individual specification

Type name		DA-TP	DA-HT
Signal		For 4-20mA	For thermocouple
P e r f o r m a n c e	Spark over voltage	Line	30V
		Earth	600V
	Clamping voltage (line)	40V	16V
o u r c u r r e n t	Leakage current	Line	5 μ A (at DC30V)
		Earth	5 μ A (at DC140V)
	Response time	0.1 μ s	0.1 μ s
	Discharge withstand current rating	1, 000A (8/20μs)	1, 000A (8/20μs)
	Maximum load current	100mA	100mA
	Internal series resistance	Approx.20Ω (Outgoing and incoming, 2 lines)	Approx.20Ω (Outgoing and incoming, 2 lines)
	Maximum line voltage	DC30V	DC7.5V

Block diagram

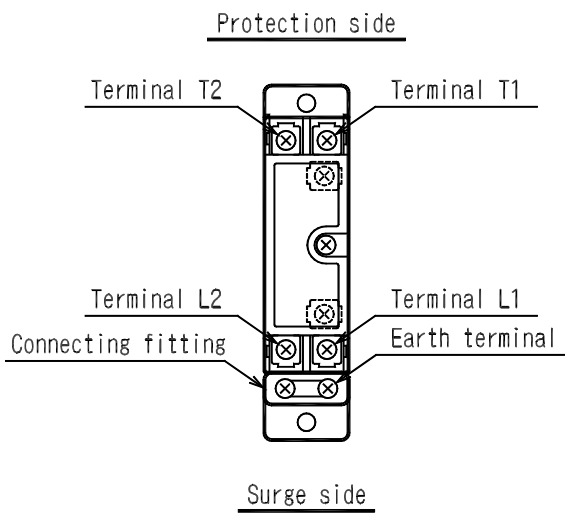


Connection diagram

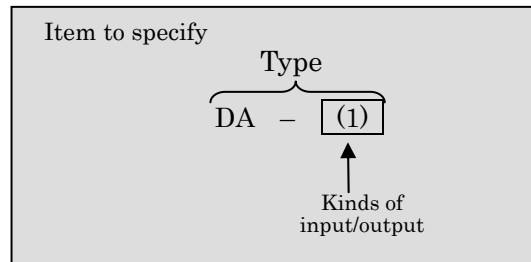


Terminal arrangement

Application		For 4-20mA signal	For thermocouple
Protection side terminal	T ₁	+	+
	T ₂	-	-
Surge side terminal	L ₁	+	+
	L ₂	-	-



Purchase specifications



(1) Kinds of input/output

Signal	Kinds of input/output
TP	For 4-20mA signal
HT	For thermocouple